

01 36V2A

E-scooter/E-bike Charger

MODEL:C80

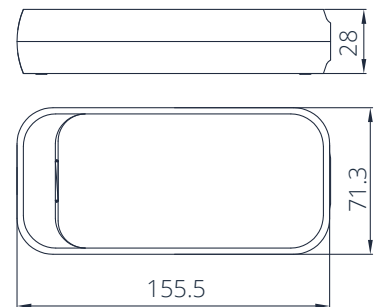


UL62368-1, TUV EN62368-1, EN55032 /EN55035 FCC PART 15B, J62368-1(2020), J55032(H29):J3000(H25), EN60335-2-29.

FEATURE

- ▶ Charger for Li-Ion batteries (lithium iron, lithium manganese and Li-NiCoMn)
- ▶ **AC input range:** 90VAC~264VAC 50/60HZ, 2.0A
- ▶ **Efficiency:** >92% @230VAC 100% Load
- ▶ **Protections:** Short circuit/Over voltage/Over power/reverse polarity/No spark
- ▶ **Operating temperature:** -20~40 °C (-4 °F~104 °F)
- ▶ Fanless design, cooling by free convection ▶ **Weight:** 0.38kg
- ▶ Fully enclosed plastic case ▶ **Packing :** 20pcs/ctn

SIZE



Model list

Model	Rated output voltage(VDC)	Rated output current(A)	Max.output power(W)
C80-VxxxAyy	12.0-16.8	1.0-4.0	67.2
	24.0-29.4	1.0-3.0	88.2
	36.0-42.0	1.0-2.0	84.0
	48.0-54.6	1.0-1.5	81.9

Note:

"xxx"=120-168 or 240-294 or 360-420 or 480-546stands for rated output voltage 12.0-16.8VDC or 24.0-29.4 VDC or 36.0-42.0VDC or 48.0-54.6VDC with step of 0.1V;
 "yy"=10-40 stands for rated output current 1.0-4.0A with step of 0.1A.

02 48V2A E-Bike/Cargo Charger

MODEL:C120

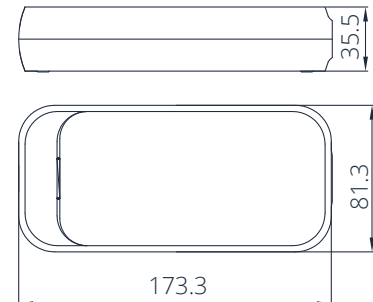


UL1012,UL62368-1, TUV EN62368-1, EN55032 /EN55035 FCC PART 15B, J62368-1(2020), J55032(H29):J3000(H25), EN60335-2-29.

FEATURE

- ▶ Charger for Li-Ion batteries (lithium iron, lithium manganese and Li-NiCoMn)
- ▶ **AC input range:** 90VAC~264VAC 50/60HZ, 2.5A
- ▶ **Efficiency:** >92% @230VAC 100% Load
- ▶ **Protections:** Short circuit/Over voltage/Over power/reverse polarity/No spark
- ▶ **Operating temperature:** -20~40 °C (-4 °F~104 °F)
- ▶ Fanless design, cooling by free convection
- ▶ Fully enclosed plastic case ▶ **Weight:** 0.5kg
- ▶ **Packing :** 24pcs/ctn

SIZE



Model list

Model	Rated output voltage(VDC)	Rated output current(A)	Max.output power(W)
C120-VxxxAyy	24.0-29.4	1.0-4.0	117.6
	36.0-43.8	1.0-3.0	131.4
	48.0-54.6	1.0-2.0	109.2
	60.0-84.0	1.0-1.5	126.0

Note:

"xxx"=252-294 or 420-438 or 480-546or 600-840 stands for rated output voltage 25.2-29.4VDC or 42.0-43.8 VDC or 48.0-54.6VDC or 60.0-84.0VDC with step of 0.1V;
 "yy"=10-50 stands for rated output current 1.0-5.0A with step of 0.1A.

03 48V3A Digital Power Charger

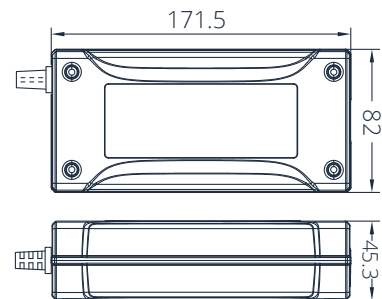
MODEL:C150



FEATURE

- ▶ Charger for Li-Ion batteries (lithium iron, lithium manganese and Li-NiCoMn)
- ▶ **AC input range:** 90VAC~264VAC 50/60HZ, 2.0A
- ▶ **Efficiency:** Maximum up to 94% @230VAC 100% Load
- ▶ **Protections:** Short circuit/Over voltage/Over power/reverse polarity/No spark
- ▶ **Operating temperature:** -20~40 °C (-4 °F~104 °F)
- ▶ Fanless design, cooling by free convection
- ▶ Built-In Active PFC, PF>0.9@220VAC
- ▶ **Packing:** 24pcs/ctn
- ▶ Fully enclosed plastic case
- ▶ **Weight:** 0.8kg

SIZE



Model list			
Model	Rated output voltage(VDC)	Rated output current(A)	Max.output power(W)
C150-VxxxAyy	12.0-16.8	1.0-6.0	100.8
	24.0-29.4	1.0-5.0	147.0
	36.0-42.0	1.0-4.0	168.0
	42.1-43.8	1.0-3.5	153.3
	48.0-54.6	1.0-3.0	163.8
	60.0-73.0	1.0-2.0	146.0

Note:
 "xxx"=120-168 or 240-294 or 360-438 or 480-546 or 600-730 stands for rated output voltage 12.0-16.8VDC or 24.0-29.4 VDC or 36.0-43.8VDC or 48.0-54.6 VDC or 60.0-73.0VDC with step of 0.1V;
 "yy"=10-60 stands for rated output current 1.0-6.0A with step of 0.1A.

04 54.6V4A

E-scooter/E-bike Intelligent Charger

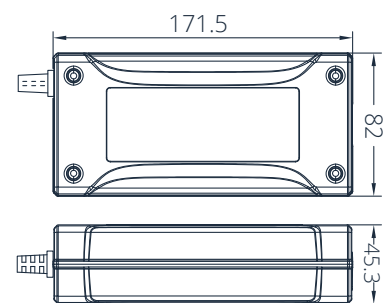
MODEL:C200



FEATURE

- ▶ Charger for Li-Ion batteries (lithium iron, lithium manganese and Li-NiCoMn) and lead-acid batteries (flooded, Gel and AGM)
- ▶ **AC input range:** 90VAC~264VAC 50/60HZ, 2.0A
- ▶ **Efficiency:** Maximum up to 94% @230VAC 100% Load
- ▶ **Protections:** Short circuit/Over voltage/Over power/reverse polarity/No spark
- ▶ **Operating temperature:** -20~40 °C (-4 °F~104 °F)
- ▶ Fanless design, cooling by free convection
- ▶ Built-In Active PFC, PF>0.9@220VAC
- ▶ MCU embedded intelligent control
- ▶ Support CAN2.0、RS-485 and One-Wire Communication Interface
- ▶ Fully enclosed plastic case
- ▶ **Weight:** 0.8kg
- ▶ **Packing:** 24pcs/ctn

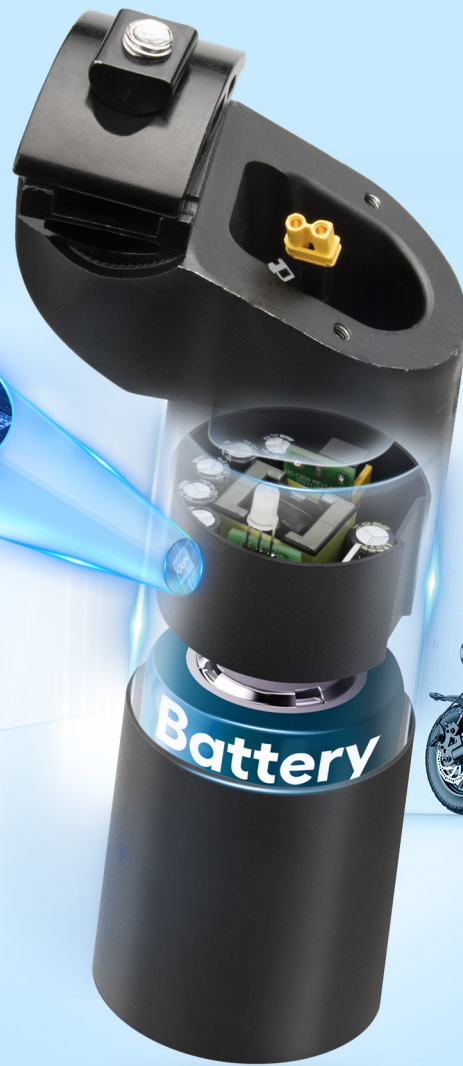
SIZE



Model	Nominal voltage(V)	Maximum charging voltage(V)	Maximum charging current(A)	Max.output power(W)
C200-V168A70	12	16.8	7	116.9
C200-V294A60	24	29.4	6	176.4
C200-V420A50	36	42.0	5	210
C200-V546A40	48	54.6	4	218.4
C200-V730A30	60	73.0	3	219

05 42V2A GaN Charger

MODEL:C60

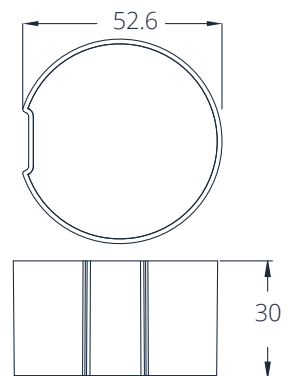


GaN charger
for e-bikes on board

FEATURE

- ▶ Charger for Li-Ion batteries (lithium iron, lithium manganese and Li-NiCoMn)
- ▶ **AC input range:** 90~264VAC 47-63Hz
- ▶ **Efficiency:** >92%@230VAC
- ▶ Fully enclosed plastic case
- ▶ **Protections:** Short circuit/Over voltage/Over power/Over temperature /reverse polarity/No spark
- ▶ **Operating temperature:** -20~45 °C (-4 °F~113 °F)
- ▶ IP67 waterproof

SIZE



Model	Nominal voltage(V)	Maximum charging voltage(V)	Maximum charging current(A)	Max.output power(W)
C60V420A18	36	42	1.9-2	84

06 12V60A Waterproof Charger

MODEL:C900WP

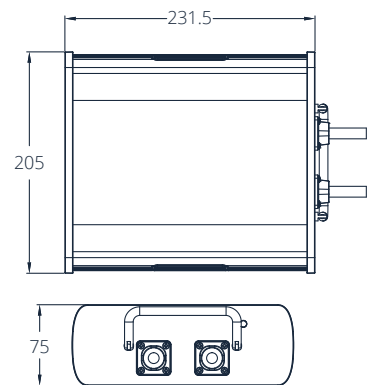


UL62368-1, TUV EN62368-1, EN55032 /EN55035 FCC PART 15B, J62368-1(2020), J55032(H29):J3000(H25).

FEATURE

- ▶ Charger for Li-Ion batteries (lithium iron, lithium manganese and Li-NiCoMn) and lead-acid batteries (flooded, Gel and AGM)
- ▶ **AC input range:** 100~240VAC 47~63Hz ▶ Cooling by fan
- ▶ **Efficiency:** >90% min.@200VAC ▶ Aluminum shell case
- ▶ **Protections:** Short circuit/Over voltage/Over power/Over temperature /reverse polarity/No spark
- ▶ **Operating temperature:** -25~45 °C (-13 °F~113 °F)
- ▶ MCU embedded intelligent control
- ▶ Support CAN2.0、RS-485 and One-Wire Communication Interface
- ▶ IP67 water proof

SIZE



Model	Nominal voltage(V)	Maximum charging voltage(V)	Maximum charging current(A)	Max.output power(W)
C900WP-V147A600	12	14.7	60	882
C900WP-V294A150	24	29.4	15	441
C900WP-V294A300	24	29.4	30	882

07 84V15A

Waterproof Charger

MODEL:C1200WP

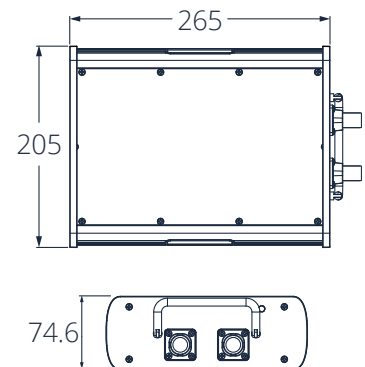


UL62368-1, TUV EN62368-1, EN55032 /EN55035 FCC PART 15B, J62368-1(2020), J55032(H29):J3000(H25).

FEATURE

- ▶ Charger for Li-Ion batteries (lithium iron, lithium manganese and Li-NiCoMn) and lead-acid batteries (flooded, Gel and AGM)
- ▶ **AC input range:** 100~240VAC 47~63Hz ▶ Cooling by fan
- ▶ **Efficiency:** >90% min.@200VAC ▶ Aluminum shell case
- ▶ **Protections:** Short circuit/Over voltage/Over power/Over temperature /reverse polarity/No spark
- ▶ **Operating temperature:** -25~45 °C (-13 °F~113 °F)
- ▶ MCU embedded intelligent control ▶ Built-In Active PFC, PF>0.9@220VAC
- ▶ Support CAN2.0、RS-485 and One-Wire Communication Interface
- ▶ IP67 water proof

SIZE



Model	Nominal voltage(V)	Maximum charging voltage(V)	Maximum charging current(A)	Max.output power(W)
C1200WP-V0168A300	12	16.8	30	504
C1200WP-V0294A250	24	29.4	25	735
C1200WP-V0420A230	36	42	23	966
C1200WP-V0546A200	48	54.6	20	1092
C1200WP-V0714A180	60	71.4	18	1285.2
C1200WP-V0840A150	72	84	15	1260
C1200WP-V1008A120	84	100.8	12	1209.6
C1200WP-V1134A100	96	113.4	10	1134

08 12V60A Adjustable Current Charger

MODEL:X800



current adjust

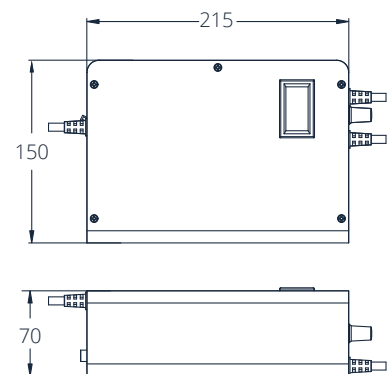


UL62368-1, TUV EN62368-1, EN55032 /EN55035 FCC PART 15B, J62368-1(2020), J55032(H29): J3000(H25).

FEATURE

- ▶ Charger for Li-Ion batteries (lithium iron, lithium manganese and Li-NiCoMn) and lead-acid batteries (flooded, Gel and AGM)
- ▶ **AC input range:** 90VAC~264VAC 45~65HZ
- ▶ **Efficiency:** ≥90% ▶ Iron housing
- ▶ **Protections:** Short circuit/Over voltage/Over power/Over temperature /reverse polarity/No spark
- ▶ **Operating temperature:** -20~40 °C (-4 °F~104 °F)
- ▶ MCU embedded intelligent control ▶ Cooling by fan
- ▶ Optional with OLED display ▶ Adjustable current
- ▶ Support CAN2.0、RS-485 and One-Wire Communication Interface

SIZE



Model	Nominal voltage(V)	Maximum charging voltage(V)	Maximum charging current(A)	Max.output power(W)
X800V147A600	12	14.7	60	882

09 48V6A 300W Intelligent Charger

MODEL:XT30/XT30B

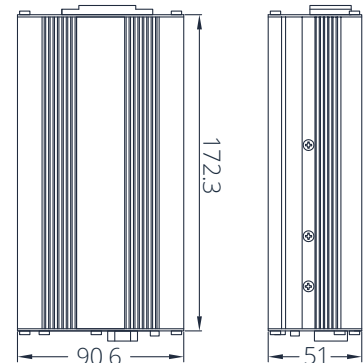


UL62368-1, TUV EN62368-1, EN55032 /EN55035 FCC PART 15B, J62368-1(2020), J55032(H29); J3000(H25).

FEATURE

- ▶ Charger for Li-Ion batteries (lithium iron, lithium manganese and Li-NiCoMn) and lead-acid batteries (flooded, Gel and AGM)
- ▶ **AC input range:** 90VAC~264VAC 45~65HZ
- ▶ **Efficiency:** ≥90% ▶ **Weight:** 1.1kg ▶ Aluminum shell case
- ▶ **Protections:** Short circuit/Over voltage/Over power/Over temperature /reverse polarity/No spark
- ▶ **Operating temperature:** -20~40 °C (-4 °F~104 °F) ▶ Cooling by fan
- ▶ MCU embedded intelligent control ▶ Optional with OLED display
- ▶ Built-In Active PFC, PF>0.9@220VAC ▶ **Packing :** 12pcs/ctn
- ▶ Support CAN2.0、RS-485 and One-Wire Communication Interface(XT30B)

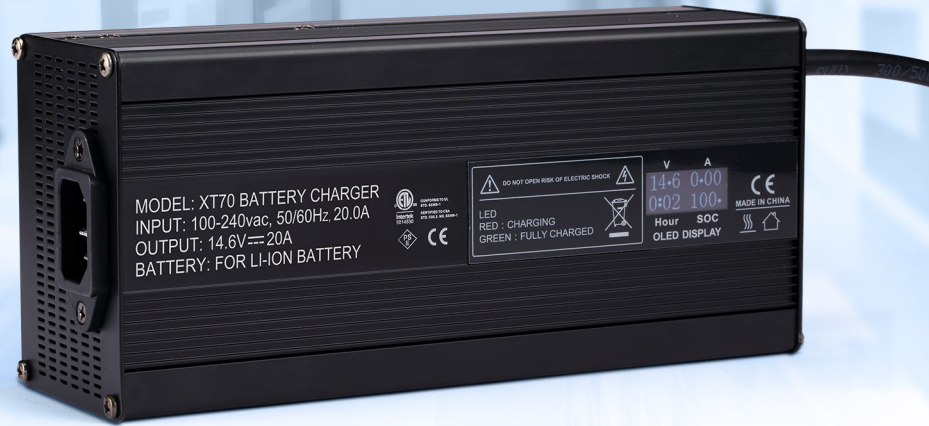
SIZE



Model	Output Voltage(V)	Output Current(A)	Max.output power(W)
XT30VxxxAyyy	3.3-12	1-20	240
	12.1-16.8	1-15	252
	16.9-29.4	1-10	294
	29.5-43.8	1-7	306.6
	43.9-54.6	1-6	327.6
	54.7-58.8	1-5	294
	58.9-71.4	1-5	357
	71.5-84	1-4	336
84.1-96.6	1-3.5	338.1	

10 48V10A
600W Intelligent charger

MODEL:XT70

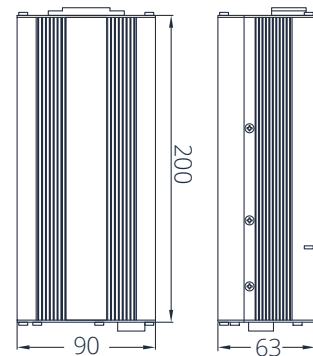


UL62368-1, TUV EN62368-1, EN55032 /EN55035 FCC PART 15B, J62368-1(2020), J55032(H29); J3000(H25).

FEATURE

- ▶ Charger for Li-Ion batteries (lithium iron, lithium manganese and Li-NiCoMn) and lead-acid batteries (flooded, Gel and AGM)
- ▶ **AC input range:** 90VAC~264VAC 45~65HZ
- ▶ **Efficiency:** ≥90% ▶ **Weight:** 1.3kg ▶ Aluminum shell case
- ▶ **Protections:** Short circuit/Over voltage/Over power/Over temperature /reverse polarity/No spark
- ▶ **Operating temperature:** -20~40 °C (-4 °F~104 °F)
- ▶ MCU embedded intelligent control ▶ Cooling by fan
- ▶ Built-In Active PFC, PF>0.9@220VAC ▶ Optional with OLED display
- ▶ Support CAN2.0、RS-485 and One-Wire Communication Interface
- ▶ **Packing:** 12pcs/ctn

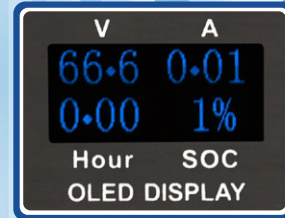
SIZE



Model	Output Voltage(V)	Output Current(A)	Max.outputpower(W)
XT70VxxxAyyy	3.3-16.8	1-20	336
	16.9-29.4	1-15	441
	29.5-33.6	1-12	403.2
	33.7-54.6	1-10	546
	54.7-58.8	1-9	529.2
	58.9-73.5	1-7	514.5
	73.6-75.6	1-6.5	491.4
	75.7-84	1-6	504
84.1-96.6	1-5	483	

11

54.6V15A 819W Intelligent charger



MODEL:XT80



CB



FC



CE

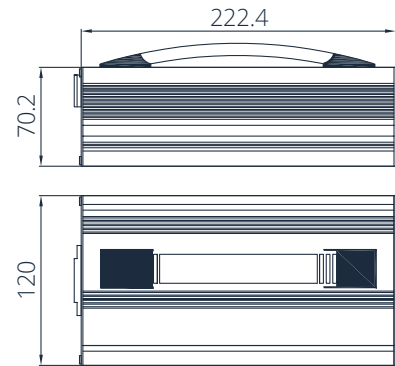
RoHS

UL62368-1, TUV EN62368-1, EN55032 /EN55035 FCC PART 15B, J62368-1(2020), J55032(H29); J3000(H25).

FEATURE

- ▶ Charger for Li-Ion batteries (lithium iron, lithium manganese and Li-NiCoMn) and lead-acid batteries (flooded, Gel and AGM)
- ▶ **AC input range:** 90VAC~264VAC 45~65HZ
- ▶ **Efficiency:** ≥90%
- ▶ **Weight:** 2.5kg
- ▶ **Packing:** 6pcs/ctn
- ▶ **Aluminum shell case**
- ▶ **Protections:** Short circuit/Over voltage/Over power/Over temperature /reverse polarity/No spark
- ▶ **Operating temperature:** -20~40 °C (-4 °F~104 °F)
- ▶ MCU embedded intelligent control
- ▶ Cooling by fan
- ▶ Built-In Active PFC, PF>0.9@220VAC
- ▶ Optional with OLED display
- ▶ Support CAN2.0、RS-485 and One-Wire Communication Interface

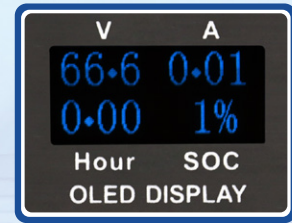
SIZE



Model	Output Voltage(V)	Output Current(A)	Max.outputpower(W)
XT80VxxxAyyy	3.3-16.8	0.1-30	504
	16.9-29.4	0.1-25	735
	29.5-42	0.1-18	756
	42.1-44.1	0.1-17	749.7
	44.2-54.6	0.1-15	819
	54.7-58.8	0.1-13	764
	58.9-73.5	0.1-10	735
	73.6-84	0.1-10	840
84.1-96.6	0.1-8.7	840.4	

12 134.4V7A

1000W Intelligent charger



MODEL:XT120

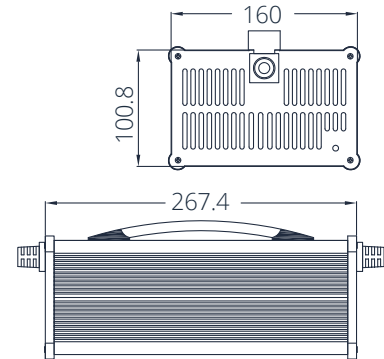


UL62368-1, TUV EN62368-1, EN55032 /EN55035 FCC PART 15B, J62368-1(2020), J55032(H29):J3000(H25).

FEATURE

- ▶ Charger for Li-Ion batteries (lithium iron, lithium manganese and Li-NiCoMn) and lead-acid batteries (flooded, Gel and AGM)
- ▶ **AC input range:** 90VAC~264VAC 45~65HZ
- ▶ **Efficiency:** ≥90%
- ▶ **Weight:** 3.0kg
- ▶ **Packing:** 1pcs/ctn
- ▶ Aluminum shell case
- ▶ **Protections:** Short circuit/Over voltage/Over power/Over temperature /reverse polarity/No spark
- ▶ **Operating temperature:** -20~40 °C (-4 °F~104 °F)
- ▶ MCU embedded intelligent control
- ▶ Cooling by fan
- ▶ Built-In Active PFC, PF>0.9@220VAC
- ▶ Optional with OLED display

SIZE



Model	Output Voltage(V)	Output Current(A)	Max.outputpower(W)
XT120VxxxAyyy	3.3-16.8	0.1-40	672
	16.9-29.4	0.1-30	882
	29.5-42	0.1-25	1050
	42.1-44.1	0.1-23	1014.3
	44.2-54.6	0.1-20	1092
	54.7-58.8	0.1-18	1058.4
	58.9-73.5	0.1-15	1102.5
	73.6-84	0.1-13	1092
	84.1-88.2	0.1-12	1058.4
	88.3-110	0.1-10	1100
	110.1-134.4	0.1-8	1075.2
	134.5-168	0.1-6	1008

13 84V30A
2520W Intelligent charger

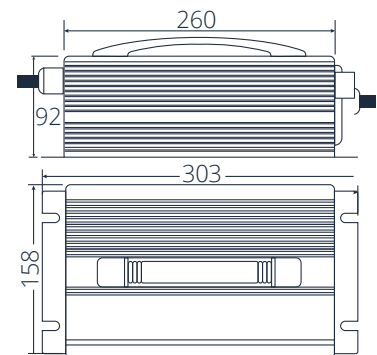
MODEL:C2500P



FEATURE

- ▶ Charger for Li-Ion batteries(lithium iron, lithium manganese and Li-NiCoMn) and lead-acid batteries(flooded, Gel and AGM)
- ▶ **AC input range:** 100~240VAC 47-63Hz ▶ **Packing :** 1pcs/ctn
- ▶ **Efficiency:** >92% min.@200VAC ▶ Aluminum shell case
- ▶ **Protections:** Short circuit/Over voltage/Over power/Over temperature /reverse polarity/No spark
- ▶ **Operating temperature:** -25~45°C(-13 °F~113 °F) ▶ Cooling by fan
- ▶ MCU embedded intelligent control ▶ Built-In Active PFC, PF>0.9@220VAC
- ▶ Support CAN2.0、RS-485 and One-Wire Communication Interface

SIZE



Model	Nominal voltage (V)	Maximum charging voltage(V)	Output Current @100-120Vac(A)	Output Current @200-240Vac(A)	Max.output power(W)
C2500P	24	29.4	40	60	1764
	36	42	30	50	2100
	48	54.6	24	40	2184
	48	58.8	24	40	2352
	60	67.2	21	35	2352
	60	71.4	21	35	2499
	72	84	20	30	2520

14 84V30A
Waterproof Charger

MODEL:C2500WP

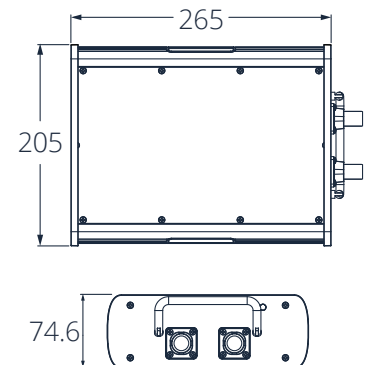


UL62368-1, TUV EN62368-1, EN55032 /EN55035 FCC PART 15B, J62368-1(2020), J55032(H29): J3000(H25).

FEATURE

- ▶ Charger for Li-Ion batteries (lithium iron, lithium manganese and Li-NiCoMn) and lead-acid batteries (flooded, Gel and AGM)
- ▶ **AC input range:** 100~240VAC 47~63Hz ▶ Cooling by fan
- ▶ **Efficiency:** >90% min.@200VAC ▶ Aluminum shell case
- ▶ **Protections:** Short circuit/Over voltage/Over power/Over temperature /reverse polarity/No spark
- ▶ **Operating temperature:** -25~45 °C (-13 °F~113 °F)
- ▶ MCU embedded intelligent control ▶ Built-In Active PFC, PF>0.9@220VAC
- ▶ Support CAN2.0、RS-485 and One-Wire Communication Interface
- ▶ IP67 water proof

SIZE



Model	Nominal voltage(V)	Maximum charging voltage(V)	Maximum charging current(A)	Max.output power(W)
C2500WP-V8400A300	72	84	30	2520

15 84V10A

840W Waterproof Charger

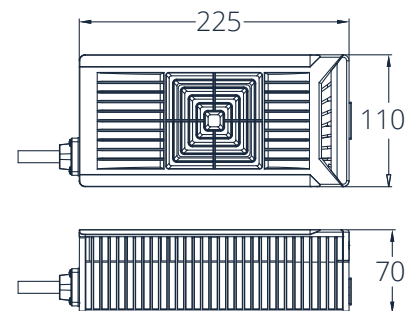
MODEL:XP1200



FEATURE

- ▶ Charger for Li-Ion batteries (lithium iron, lithium manganese and Li-NiCoMn) and lead-acid batteries (flooded, Gel and AGM)
- ▶ **AC input range:** 90~264VAC 47-63Hz
- ▶ **Efficiency:** >90%@230VAC ▶ Aluminium and plastic housings
- ▶ **Protections:** Short circuit/Over voltage/Over power/Over temperature /reverse polarity/No spark
- ▶ **Operating temperature:** -20~45 °C (-4 °F~113 °F) ▶ Cooling by fan
- ▶ Built-In Active PFC, PF>0.9@220VAC ▶ IP67 water proof
- ▶ Support CAN2.0、RS-485 and One-Wire Communication Interface

SIZE

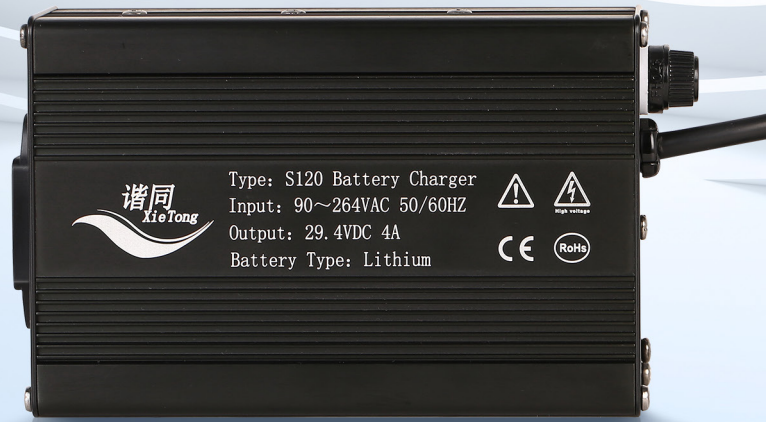


Model	Nominal voltage(V)	Maximum charging voltage(V)	Maximum charging current(A)	Max.output power(W)
XP1200V840A100	72	84	10	840

16 48V2~3A

Electric bike charger

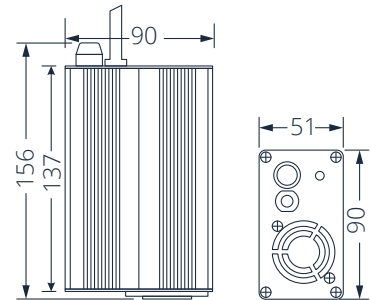
MODEL:S120



FEATURE

- ▶ Charger for Li-Ion batteries (lithium iron, lithium manganese and Li-NiCoMn) and lead-acid batteries(flooded, Gel and AGM)
- ▶ **AC input range:** 90VAC~264VAC 45~65HZ
- ▶ **Efficiency:** ≥88% ▶ **Weight:** 0.8kg ▶ Aluminum shell case
- ▶ **Protections:** short circuit / over voltage / over current /reverse polarity / over temperature
- ▶ **Operating temperature:** -20~40 °C (-4 °F~104 °F)
- ▶ Cooling by fan ▶ **Packing :** 12pcs/ctn

SIZE



Model	Nominal voltage(V)	Maximum charging voltage(V)	Maximum charging current(A)	Max.output power(W)
S120	12	12.6	4-5	63
	12	14.4	4-5	72
	12	14.6	4-5	73
	12	16.8	4-5	84
	24	29.2	3-5	146
	24	29.4	3-5	147
	36	42	2.5-4	168
	36	43.8	2.5-4	175.2
	48	54.6	2-3	163.8
	48	58.4	2-3	175.2
	48	58.8	2-3	176.4
	60	67.2	1.5-2	134.4
	60	71.4	1.5-2	142.8

17

48V5A

Electric scooter smart charger

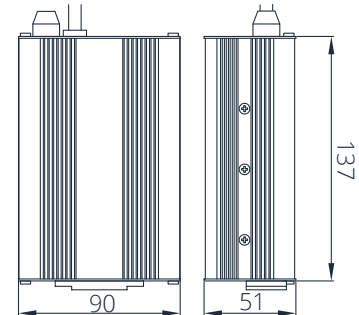
MODEL:C300/C300M



FEATURE

- ▶ Charger for Li-Ion batteries (lithium iron, lithium manganese and Li-NiCoMn) and lead-acid batteries (flooded, Gel and AGM)
- ▶ **AC input range:** 90VAC~132VAC / 200VAC~264VAC 45~65HZ
- ▶ **Efficiency:** ≥90% ▶ **Weight:** 0.9kg ▶ Aluminum shell case
- ▶ **Protections:** Short circuit/Over voltage/Over power/Over temperature /reverse polarity/No spark
- ▶ **Operating temperature:** -20~40°C(-4 °F~104 °F) ▶ Cooling by fan
- ▶ MCU embedded intelligent control
- ▶ **Packing :** 12pcs/ctn ▶ Optional with OLED display(C300M)

SIZE



Model	Nominal voltage(V)	Maximum charging voltage(V)	Maximum charging current(A)	Max.output power(W)
C300、C300M	12	12.6	15	189
	12	14.4	15	216
	12	14.6	15	219
	12	16.8	15	252
	24	29.2	9-10	292
	24	29.4	9-10	294
	36	42	6	252
	36	43.8	6	262.8
	48	54.6	5	273
	48	58.4	5	292
	48	58.8	5	294
	60	67.2	3-4	268.8
	60	71.4	3-4	285.6
	60	73	3-4	292
	72	84	3	252

18 48V8~12A
480W~714W Charger

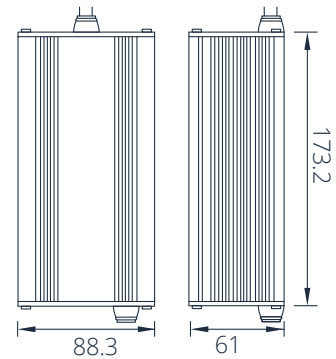
MODEL:C600M



FEATURE

- ▶ Charger for Li-Ion batteries (lithium iron, lithium manganese and Li-NiCoMn) and lead-acid batteries (flooded, Gel and AGM)
- ▶ **AC input range:** 90VAC~132VAC / 200VAC~264VAC 45~65HZ
- ▶ **Efficiency:** ≥90% ▶ **Weight:** 1.2kg ▶ Aluminum shell case
- ▶ **Protections:** Short circuit/Over voltage/Over power/Over temperature /reverse polarity/No spark
- ▶ **Operating temperature:** -20~40 °C (-4 °F~104 °F) ▶ Cooling by fan
- ▶ MCU embedded intelligent control ▶ Optional with OLED display
- ▶ **Packing :** 12pcs/ctn

SIZE



Model	Nominal voltage(V)	Maximum charging voltage(V)	Maximum charging current(A)	Max.output power(W)
C600M	12	12.6	20-25	315
	12	14.4	20-25	360
	12	14.6	20-25	365
	12	16.8	20-25	420
	24	29.2	15-20	584
	24	29.4	15-20	588
	36	42	10-13	546
	36	43.8	10-13	569.4
	48	54.6	8-12	655.2
	48	58.4	8-12	700.8
	48	58.8	8-12	705.6
	60	67.2	6-10	672
	60	71.4	6-10	714
72	84	5-8	672	

19

48V18~20A 1200W Intelligent charger

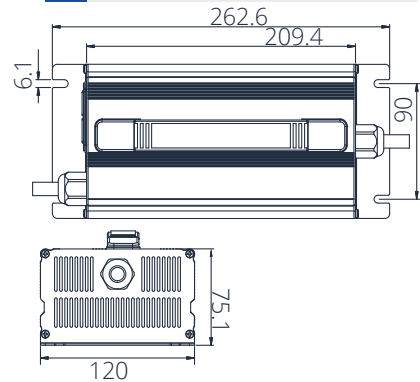
MODEL:C1200



FEATURE

- ▶ Charger for Li-Ion batteries (lithium iron, lithium manganese and Li-NiCoMn) and lead-acid batteries(flooded, Gel and AGM)
- ▶ **AC input range:** 90VAC~132VAC / 200VAC~264VAC 45~65HZ
- ▶ **Efficiency:** ≥90% ▶ **Weight:** 2.5kg ▶ Aluminum shell case
- ▶ **Protections:** Short circuit/Over voltage/Over power/Over temperature /reverse polarity/No spark
- ▶ **Operating temperature:** -20~40 °C (-4 °F~104 °F) ▶ Cooling by fan
- ▶ MCU embedded intelligent control ▶ Optional with OLED display
- ▶ Support CAN2.0、RS-485 and One-Wire Communication Interface

SIZE



Model	Nominal voltage(V)	Maximum charging voltage(V)	Maximum charging current(A)	Max.output power(W)
C1200	12	12.6	35-40	504
	12	14.4	35-40	576
	12	14.6	35-40	584
	12	16.8	35-40	672
	24	29.2	25-30	876
	24	29.4	25-30	882
	36	42	20-25	1050
	36	43.8	20-25	1095
	48	54.6	18-20	1092
	48	58.4	18-20	1168
	48	58.8	18-20	1176
	60	67.2	13-15	1008
	60	71.4	13-15	1071
	72	84	10-13	1092
	84	100.8	10-12	1209

20 84V15A, 71.4V15A

KC/KCC Certificate Intelligent Charger

MODEL:C1500

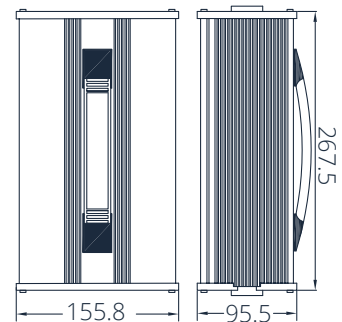


UL62368-1, TUV EN62368-1,
EN55032 /EN55035 FCC PART 15B

FEATURE

- ▶ Charger for Li-Ion batteries (lithium iron, lithium manganese and Li-NiCoMn) and lead-acid batteries (flooded, Gel and AGM)
- ▶ **AC input range:** 200VAC-240VAC 50Hz
- ▶ **Efficiency:** ≥90%
- ▶ **Weight:** 3.0kg
- ▶ **Packing:** 1 pcs/ctn
- ▶ Aluminum shell case
- ▶ **Protections:** Short circuit/Over voltage/Over power/Over temperature /reverse polarity/No spark
- ▶ **Operating temperature:** -25~40 °C (-13 °F~104 °F)
- ▶ Cooling by fan
- ▶ MCU embedded intelligent control
- ▶ OLED display
- ▶ Support CAN2.0、RS-485 and One-Wire Communication Interface

SIZE



Model	Nominal voltage(V)	Maximum charging voltage(V)	Maximum charging current(A)	Max.output power(W)
C1500-C60V15A	60	71.4	15	1071
C1500-C84V15A	72	84	15	1260

21

48V30A
1800W Intelligent Charger

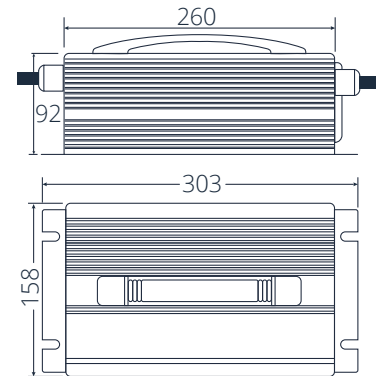
MODEL:S2500



FEATURE

- ▶ Charger for Li-Ion batteries (lithium iron, lithium manganese and Li-NiCoMn) and lead-acid batteries (flooded, Gel and AGM)
- ▶ **AC input range:** 90VAC~264VAC 45~65HZ ▶ Aluminum shell case
- ▶ **Weight:** 3.5kg ▶ MCU embedded intelligent control
- ▶ **Protections:** Short circuit/Over voltage/Over power/Over temperature /reverse polarity/No spark
- ▶ **Operating temperature:** -20~40 °C (-4 °F~104 °F) ▶ **Efficiency:** ≥90%
- ▶ Cooling by fan ▶ Built-In Active PFC, PF>0.9@220VAC
- ▶ Support CAN2.0、RS-485 and One-Wire Communication Interface
- ▶ **Packing :** 1pcs/ctn

SIZE

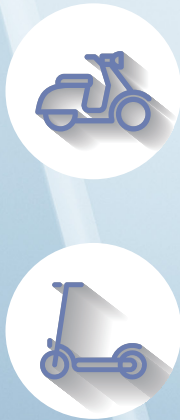


Model	Nominal voltage (V)	Maximum charging voltage(V)	Output Current @100-120Vac(A)	Output Current @200-240Vac(A)	Max.output power(W)
S2500V126A500	12	12.6	25	50	630
S2500V144A500	12	14.4	25	50	720
S2500V146A500	12	14.6	25	50	730
S2500V168A500	12	16.8	25	50	840
S2500V292A500	24	29.2	25	50	1460
S2500V294A500	24	29.4	25	50	1470
S2500V420A400	36	42	20	40	1680
S2500V438A400	36	43.8	20	40	1752
S2500V546A300	48	54.6	15	30	1638
S2500V584A300	48	58.4	15	30	1752
S2500V588A300	48	58.8	15	30	1764
S2500V672A250	60	67.2	15	25	1680
S2500V714A250	60	71.4	15	25	1785
S2500V840A200	72	84	10	20	1680

22 36V2A

E-scooter/E-bike Intelligent Charger

MODEL:XT8

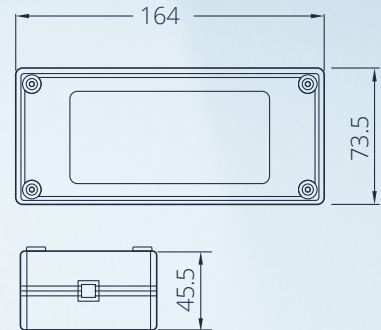


UL 62368-1:2014 Ed.2, EN60335-1:2012/A2:2019,EN60335-2-29:2004/A11:2018, EN62233:2018, AfPS GS 2019:01PAK fcc part 15B Class B per section 15.107,EN55014-1,EN55014-2,EN IEC 61000-3-2 and EN 61000-3-3

FEATURE

- ▶ Charger for Li-Ion batteries (lithium iron, lithium manganese and Li-NiCoMn) and lead-acid batteries (flooded, Gel and AGM)
- ▶ **AC input range:** 90VAC~264VAC 45~65HZ
- ▶ **Efficiency:** ≥89% ▶ **Weight:** 0.5kg ▶ Fully enclosed plastic case
- ▶ **Protections:** Short circuit/Over voltage/Over power/Over temperature /reverse polarity/No spark
- ▶ **Operating temperature:** -20~40 °C (-4 °F~104 °F)
- ▶ MCU embedded intelligent control
- ▶ Fanless design, cooling by free convection

SIZE



Model	Nominal voltage(V)	Maximum charging voltage(V)	Maximum charging current(A)	Max.output power(W)
XT8V420A020	36	42	2	84
XT8V292A025	24	29.2	2.5	73
XT8V294A025	24	29.4	2.5	73.5

23 48V2.2A

E-Bike/Cargo Intelligent Charger

MODEL:XT12

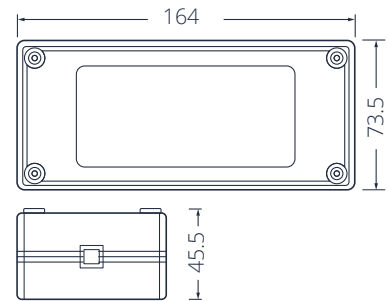


UL 62368-1:2014 Ed.2, EN60335-1:2012/A2:2019, EN60335-2-29:2004/A11:2018, EN62233:2018, AfPS GS 2019:01PAK fcc part 15B Class B per section 15.107, EN55014-1, EN55014-2, EN IEC 61000-3-2 and EN 61000-3-3

FEATURE

- ▶ Charger for Li-Ion batteries (lithium iron, lithium manganese and Li-NiCoMn) and lead-acid batteries (flooded, Gel and AGM)
- ▶ **AC input range:** 90VAC~264VAC 45~65HZ ▶ **Efficiency:** ≥90%
- ▶ **Protections:** Short circuit/Over voltage/Over power/Over temperature /reverse polarity/No spark
- ▶ **Operating temperature:** -20~40 °C (-4 °F~104 °F)
- ▶ MCU embedded intelligent control ▶ Fully enclosed plastic case
- ▶ Fanless design, cooling by free convection ▶ **Weight:** 0.6kg
- ▶ Built-In Active PFC, PF>0.9@220VAC ▶ **Packing :** 24pcs/ctn

SIZE

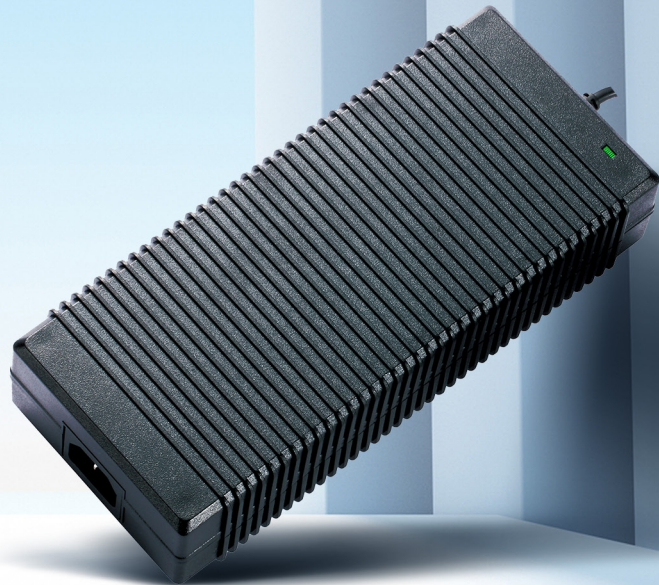


Model	Nominal voltage(V)	Maximum charging voltage(V)	Maximum charging current(A)	Max.output power(W)
XT12V292A035	24	29.2	3.5	102.2
XT12V294A035	24	29.4	3.5	102.9
XT12V420A030	36	42	3	126
XT12V438A030	36	43.8	3	131.4
XT12V546A022	48	54.6	2.2	120.1
XT12V584A022	48	58.4	2.2	128.4
XT12V588A022	48	58.8	2.2	129.3

24 48V6A

E-Bike/Cargo Intelligent Charger

MODEL:XT36

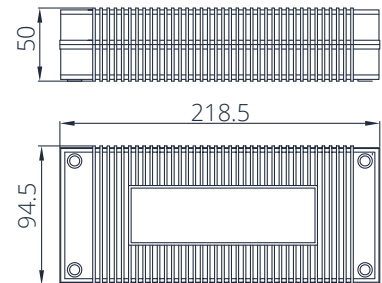


UL 62368-1:2014 Ed.2, EN60335-1:2012/A2:2019, EN60335-2-29:2004/A11:2018, EN62233:2018, AfPS GS 2019:01PAK fcc part 15B Class B per section 15.107, EN55014-1, EN55014-2, EN IEC 61000-3-2 and EN 61000-3-3

FEATURE

- ▶ Charger for Li-Ion batteries (lithium iron, lithium manganese and Li-NiCoMn) and lead-acid batteries (flooded, Gel and AGM)
- ▶ **AC input range:** 90VAC~264VAC 45~65HZ ▶ **Efficiency:** ≥90%
- ▶ **Protections:** Short circuit/Over voltage/Over power/Over temperature /reverse polarity/No spark
- ▶ **Operating temperature:** -20~40 °C (-4 °F~104 °F) ▶ **Weight:** 1.3kg
- ▶ MCU embedded intelligent control ▶ Built-In Active PFC, PF>0.9@220VAC
- ▶ Fully enclosed plastic case ▶ Fanless design, cooling by free convection
- ▶ **Packing :** 9pcs/ctn

SIZE



Model	Nominal voltage (V)	Maximum charging voltage(V)	Output Current @100-120Vac(A)	Output Current @200-240Vac(A)	Max.output power(W)
XT36V292A100	24	29.2	0.1-8.0	0.1-10	292
XT36V294A100	24	29.4	0.1-8.0	0.1-10	294
XT36V420A080	36	42	0.1-6.0	0.1-8.0	336
XT36V438A080	36	43.8	0.1-6.0	0.1-8.0	350.4
XT36V546A070	48	54.6	0.1-4.0	0.1-6.0	327.6
XT36V584A070	48	58.4	0.1-4.0	0.1-6.0	350.4
XT36V588A070	48	58.8	0.1-4.0	0.1-6.0	352.8
XT36V672A050	60	67.2	0.1-3.7	0.1-5.0	336
XT36V714A050	60	71.4	0.1-3.7	0.1-5.0	357
XT36V840A045	72	84	0.1-3.2	0.1-4.5	378

25 84V10A

840W Intelligent charger

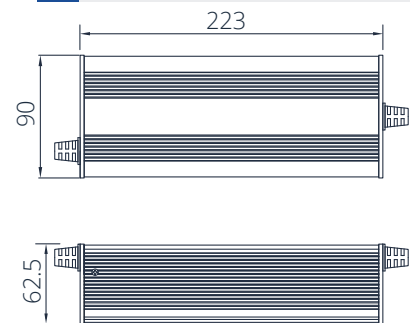
MODEL:C700P



FEATURE

- ▶ Charger for Li-Ion batteries (lithium iron, lithium manganese and Li-NiCoMn) and lead-acid batteries (flooded, Gel and AGM)
- ▶ **AC input range:** 90~264VAC 47-63Hz
- ▶ **Efficiency:** >90%@230VAC ▶ Aluminum shell case
- ▶ **Protections:** Short circuit/Over voltage/Over power/Over temperature /reverse polarity/No spark
- ▶ **Operating temperature:** -20~45 °C (-4 °F~113 °F) ▶ Cooling by fan
- ▶ Built-In Active PFC, PF>0.9@220VAC
- ▶ **Packing :** 8pcs/ctn

SIZE



Model	Nominal voltage (V)	Maximum charging voltage(V)	Output Current @100-120Vac(A)	Output Current @200-240Vac(A)	Max.output power(W)
C700PV840A100	72	84	6.7	10	840

26 54.6V5A
273W Intelligent charger

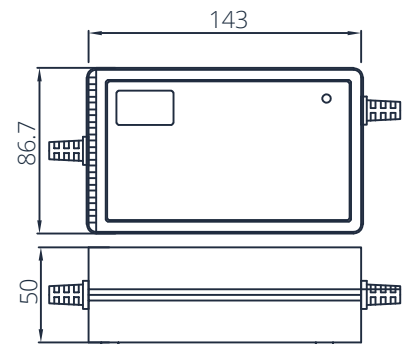
MODEL:C250XGB



FEATURE

- ▶ Charger for Li-Ion batteries (lithium iron, lithium manganese and Li-NiCoMn) and lead-acid batteries (flooded, Gel and AGM)
 - ▶ **AC input range:** 200~240VAC /50Hz
 - ▶ **Efficiency:** >90%@220VAC
 - ▶ **Protections:** Short circuit/Over voltage/Over power/Over temperature /reverse polarity/No spark
 - ▶ **Operating temperature:** -25~40 °C (-13 °F~104 °F)
 - ▶ The XGB model supports communication interfaces such as CAN2.0, RS-485 and One-Wire.
- ▶ Cooling by fan
 - ▶ **Packing :** 12pcs/ctn
 - ▶ Plastic shell

SIZE

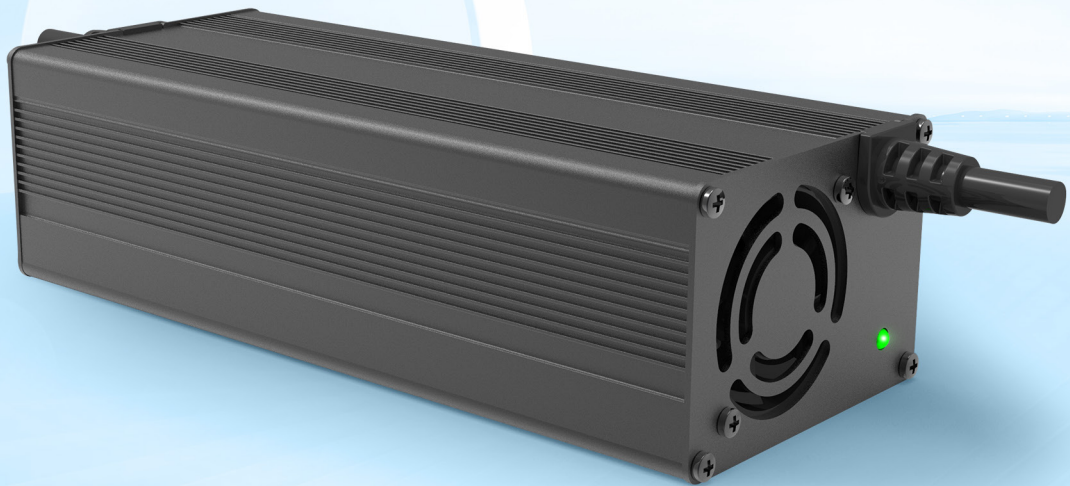


Model	Nominal voltage(V)	Maximum charging voltage(V)	Maximum charging current(A)	Max.output power(W)
C250XGBV420A200(XGB)	36	42	2	84
C250XGBV420A300(XGB)	36	42	3	126
C250XGBV546A200(XGB)	48	54.6	2	109.2
C250XGBV546A300(XGB)	48	54.6	3	163.8
C250XGBV546A500	48	54.6	5	273
C250XGBV882A300	60	74	3.6	266.4
C250XGBV740A360	72	88.2	3	264.5

27 84V10A

840W Intelligent charger

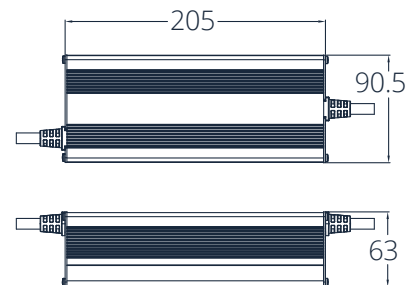
MODEL:C700
铁塔充电柜专用



FEATURE

- ▶ Charger for Li-Ion batteries (lithium iron, lithium manganese and Li-NiCoMn) and lead-acid batteries (flooded, Gel and AGM)
- ▶ **AC input range:** 90~264VAC 47-63Hz
- ▶ **Efficiency:** >90%@230VAC ▶ MCU embedded intelligent control
- ▶ **Protections:** Short circuit/Over voltage/Over power/Over temperature /reverse polarity/No spark
- ▶ **Operating temperature:** -20~45 °C (-4 °F~113 °F) ▶ Cooling by fan
- ▶ Built-In Active PFC, PF>0.9@220VAC ▶ Aluminum shell case
- ▶ Support CAN2.0、RS-485 and One-Wire Communication Interface

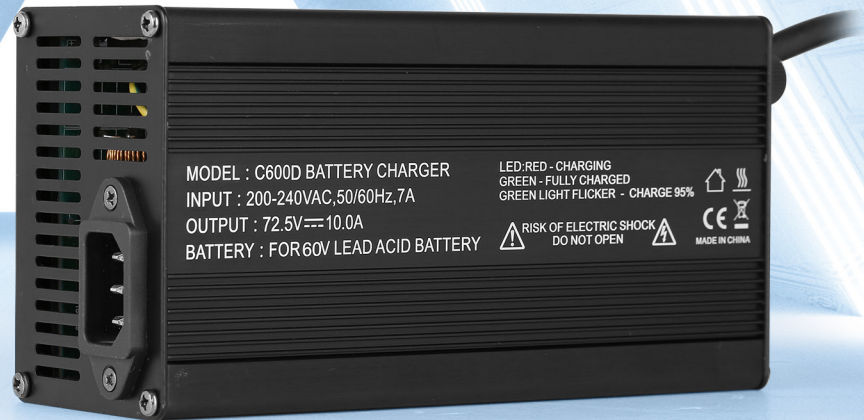
SIZE



Model	Nominal voltage(V)	Maximum charging voltage(V)	Output Current @200-240Vac(A)	Max.output power(W)
C700V546A130	48	54.6	10	546
C700V714A100	60	71.4	10	714
C700V840A100	72	84	10	840

28 48V8~12A
480W~714 Intelligent Charger

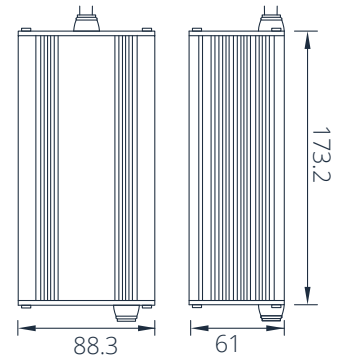
MODEL:C600D



FEATURE

- ▶ Charger for Li-Ion batteries (lithium iron, lithium manganese and Li-NiCoMn) and lead-acid batteries(flooded, Gel and AGM)
- ▶ **AC input range:** 90VAC~132VAC / 200VAC~264VAC 45~65HZ
- ▶ **Efficiency:** $\geq 90\%$ ▶ **Weight:** 1.2kg ▶ **Packing :** 12pcs/ctn
- ▶ **Protections:** short circuit / over voltage / over current /reverse polarity / over temperature
- ▶ **Operating temperature:** -20~40 °C (-4 °F~104 °F) ▶ Cooling by fan
- ▶ MCU embedded intelligent control ▶ **Packing :** 12pcs/ctn
- ▶ Support CAN2.0、RS-485 and One-Wire Communication Interface

SIZE



Model	Nominal voltage(V)	Maximum charging voltage(V)	Maximum charging current(A)	Max.output power(W)
C600D	12	12.6	20	315
	12	14.4	20	360
	12	14.6	20	365
	12	16.8	20	420
	24	29.2	15	525.6
	24	29.4	15	529.2
	36	42	10-13	546
	36	43.8	10-13	569.4
	48	54.6	8-12	655.2
	48	58.4	8-12	700.8
	48	58.8	8-12	705.6
	60	67.2	6-10	672
	60	71.4	6-10	714
72	84	5-8	672	

29 57.4V9.8A
562.52W Intelligent charger

MODEL:XT80S
Charger for charging cabinet

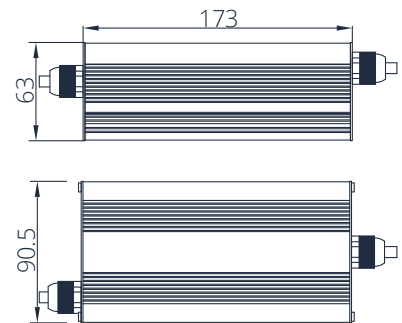


UL62368-1, TUV EN62368-1, EN55032 /EN55035 FCC PART 15B, J62368-1(2020), J55032(H29); J3000(H25).

FEATURE

- ▶ Charger for Li-Ion batteries (lithium iron, lithium manganese and Li-NiCoMn) and lead-acid batteries (flooded, Gel and AGM)
- ▶ **AC input range:** 100~240VAC 47~63Hz ▶ Cooling by fan
- ▶ **Efficiency:** >90% min.@200VAC ▶ Aluminum shell case
- ▶ **Protections:** Short circuit/Over voltage/Over power/Over temperature /reverse polarity/No spark
- ▶ **Operating temperature:** -25~45 °C (-13 °F~113 °F)
- ▶ MCU embedded intelligent control ▶ Built-In Active PFC, PF>0.9@220VAC
- ▶ Support CAN2.0、RS-485 and One-Wire Communication Interface
- ▶ **Packing :** 6pcs/ctn

SIZE



Model	Nominal voltage(V)	Maximum charging voltage(V)	Maximum charging current(A)	Max.output power(W)
XT80SV574A098	50.4	57.4	9.8	562.5

30 84V60A
5040W Charger

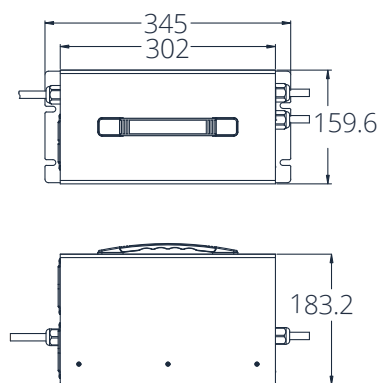
MODEL:C2500P2



FEATURE

- ▶ Charger for Li-Ion batteries (lithium iron, lithium manganese and Li-NiCoMn) and lead-acid batteries (flooded, Gel and AGM)
- ▶ **AC input range:** 90~264VAC 47-63Hz
- ▶ **Efficiency:** >90%@230VAC
- ▶ **Protections:** Short circuit/Over voltage/Over power/Over temperature /reverse polarity/No spark
- ▶ **Operating temperature:** -20~45 °C (-4 °F~113 °F) ▶ Cooling by fan
- ▶ Built-In Active PFC, PF>0.9@220VAC ▶ Aluminum shell case
- ▶ Support CAN2.0、RS-485 and One-Wire Communication Interface

SIZE



Model	Nominal voltage (V)	Maximum charging voltage(V)	Output Current @100-120Vac(A)	Output Current @200-240Vac(A)	Max.output power(W)
C2500P2-V840A600	72	84	40	60	5040

31 12V7A PowerAdapter

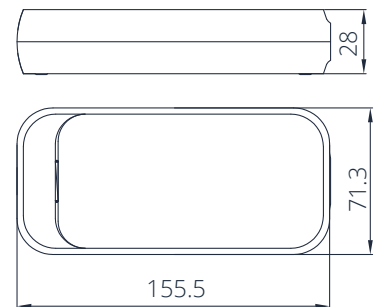
MODEL:C80A



FEATURE

- ▶ **AC input range:** 90VAC~264VAC 50/60HZ, 2.0A
- ▶ **Efficiency:** >93% @230VAC 100% Load
- ▶ **Protections:** Short circuit/Over voltage/Over power
- ▶ **Operating temperature:** -20~40 °C (-4 °F~104 °F)
- ▶ Fanless design, cooling by free convection
- ▶ Fully enclosed plastic case
- ▶ **Weight:** 0.38kg

SIZE

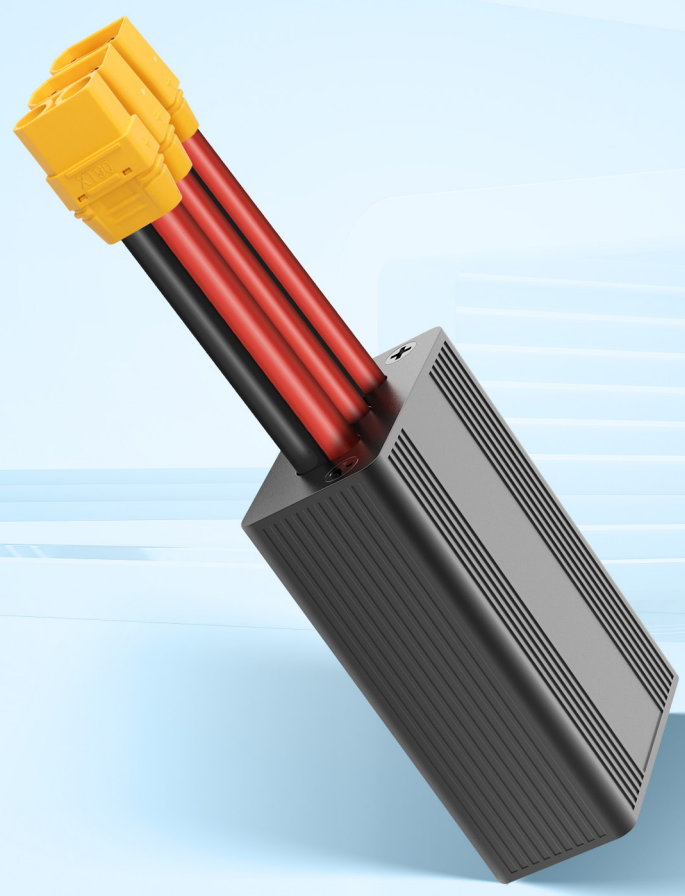


Model	Output Voltage(V)	Maximum Output current(A)	Max.output power(W)
C80AV120A70	12	7	84
C80AV240A40	24	4	96

32 DC-DC

Dual-Battery Balancer

MODEL:BX7280



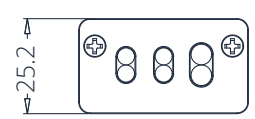
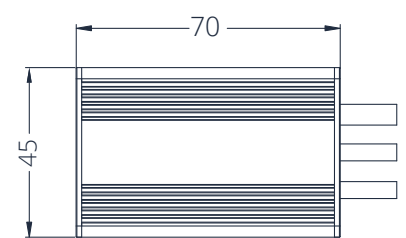
FEATURE

- ▶ **Input:** 72V40A * 2
- ▶ **Output:** 72V80A
- ▶ **smart control**

APPLICATIONS

- ▶ DC-DC Dual-Battery Balancer

SIZE



33 1 to 3 way DC splitter cable

MODEL: CX4806



intelligent current control PCB inside

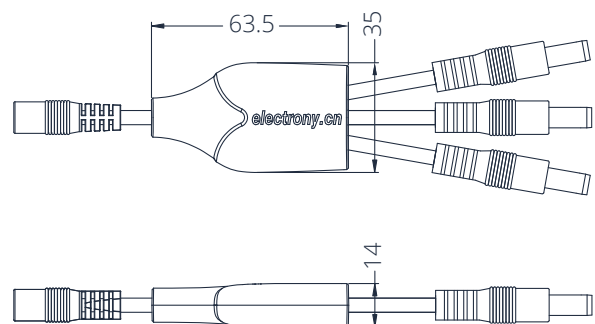
FEATURE

- ▶ **Connector:** 5.5*2.1mm (Or customizable)
- ▶ **Connector:** copper
- ▶ **Insulator Material:** PVC
- ▶ intelligent current control PCB inside

APPLICATIONS

- ▶ One charger for three batteries.

SIZE



DC PLUG

01



02



03



04



05



06



07



08



09



10



11



12



13



14



15



16



17



18



19



20



21



22



23



24



25



26



27



28



29



30



DC PLUG

31



32



33



34



35



36



37



38



39



40



41



42



43



44



45



46



47



48



49



50



51



52



53



54



55



56



57



58



DC plugs are not limited to the picture above

Please contact us for further information

Charger Datasheet

Model	Input Voltage (VAC)	Nominal Voltage&Charge current							CAN 485	Dimension (mm)	
		12V	24V	36V	48V	60V	72V	84V			
C60	90-264			1.9A							∅52.6*30
C80	90-264	1-4A	1-3A	1-2A	1-1.5A						155.5*71.3*28
C120	90-264		1-4A	1-3A	1-2A	1-1.5A	1-1.5A				173.3*81.3*35.5
C150	90-264	1-6A	1-5A	1-4A	1-3A	1-2A	1-2A				171.5*82*45.3
C200	90-264	7A	6A	5A	4A	3A			✓		171.5*82*45.3
C250XGB	200-240				5A	3A	3.6A				143*86.7*50
C300	200-264	15A	10A	6A	5A	4A	3.4A	2.5A			137*90*51
	100-132	15A	9A	6A	5A	4A	3A	2.5A			
C300M	90-264	15A	10A	7A	5A	4A	3A				137*90*51
C600	200-264	20A	15A	10A	8A	6A	5A	4.5A			173*90*51
	100-132	20A	15A	10A	8A	6A	5A	4.5A			
C600D	200-264				12A	10A	8A		✓		173.2*88.3*61
	100-132				10A	9A	7A		✓		
C600M	200-264	25A	20A	13A	10A	8A	6.5A	5.5A			173.2*88.3*61
	100-132	25A	20A	12A	9A	7.5A	8A				
C700P	90-264						10A				223*90*62.5
C700	90-264				10A	10A	10A		✓		219*90.5*63
C900WP	90-264	60A	15/30A						✓		231.5*205*75
C1200	200-264	40A	30A	25A	20A	15A	13A	12A	✓		263.6*120*75
	100-132	40A	30A	22A	18A	13A	11A	10A	✓		
C1200WP	90-264	30	25A	23A	20A	20A	15A	12A	✓		265*205*74.6
C1500	180-264				15A	15A	15A		✓		267.5*155.8*95.5

Charger Datasheet

Model	Input Voltage (VAC)	Nominal Voltage&Charge current							CAN 485	Dimension (mm)
		12V	24V	36V	48V	60V	72V	84V		
C2500P	200-264		60A	50A	40A	35A	30A		✓	303*158*92
	100-132		40A	30A	23A	21A	20A		✓	
C2500P2	200-264						60A		✓	345*159.6*183.2
	100-132						40A		✓	
C2500WP	200-264						30A		✓	265*205*74.6
	100-132						20A		✓	
XT8	90-264		2.5A	2A						164*73.5*45.5
XT12	90-264		3.5A	3A	2.2A	2A				164*73.5*45.5
XT30	90-264	15A	8-10A	6-7A	4-5A	3-4A	3-4A	3.5A		172.3*90.6*51
XT36	90-264		8-10A	6-8A	5-7A	4-5A	3-4A			218.5*94.5*50
XT70	90-264	20A	10-15A	7-10A	7-10A	5-7A	5-6A	5A	✓	200*90*63
XT80	90-264	30A	25A	18A	13-15A	10A	10A	8.7A	✓	222.4*70.2*120.2
XT120	90-264	40A	30A	25A	20A	15A	13A	10A		267.4*160*100.8
X800	90-264	60A								215*150*70
XP1200	90-264						10A		✓	225*110*70
S120	90-264	5A	5A	4A	3A	2A	1.5A			137*90*51
S120M	90-264	5A	5A	4A	3A					137*90*51
S2500	200-264	50A	50A	40A	30A	25A	20A	18A	✓	303*158*92
	100-132	25A	25A	20A	15A	13.5A	11A	12A	✓	
XT30B	90-264	15A	8-10A	6-7A	4-5A	3-4A	3-4A	3.5A	✓	172.3*90.6*51